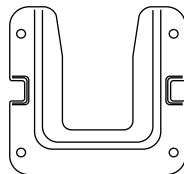
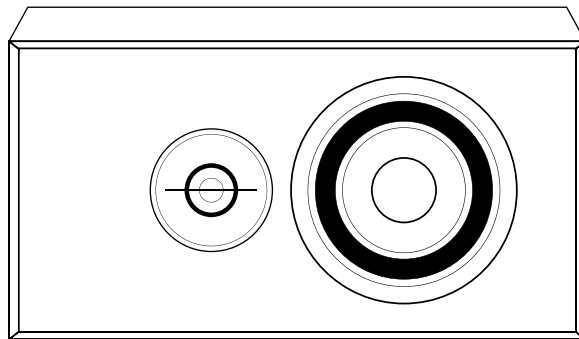
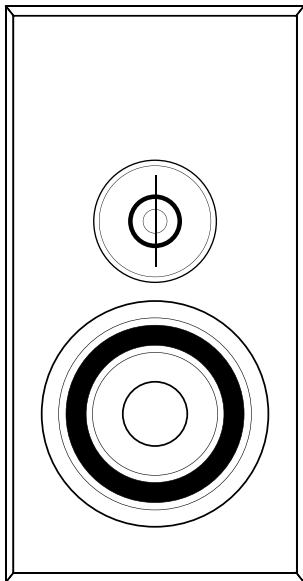


PERFORMANCE WALL MOUNT

OWNER'S MANUAL



PWM SAT

Thank you for purchasing Performance Wall Mount speakers by PSB, a highly developed slim profile speaker engineered for a customized audio solution. This compact solution captures all the sounds from your music and video collections and brings them to life. Producing crystal clear voicing and a spacious soundstage, the On-Wall Speakers make motion pictures and music catalogues come to life.

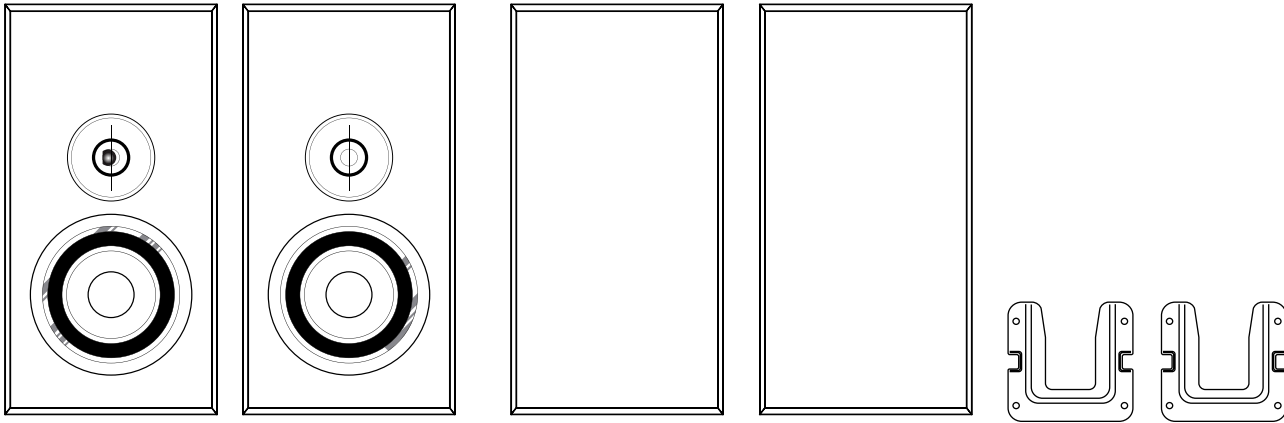
Engineered with highly acclaimed audio excellence and research, the Performance Wall Mount speakers by PSB will deliver wide frequency and dynamic range, natural tonal balance and precise spatial imaging for today's on-wall audio applications.

By supplying this Owner's Guide, we hope you will read through this booklet to help assure that you are getting the most out of your PSB product, and your music.

UNPACKING...

The packing materials are designed to protect the speakers from damage during transport, however if visible or concealed damage is to occur in handling, it should be reported at once to your authorized PSB dealer, or to the shipping company that delivered your loudspeakers. We highly recommend retaining all packaging, as it may be needed to transport the speakers in the future.

CONTENTS...



POSITIONING...

- I. The PWM Sat is designed as a multi purpose speaker capable of being installed in a variety of locations.
- II. It can be used as a left and right front, surround or height speaker



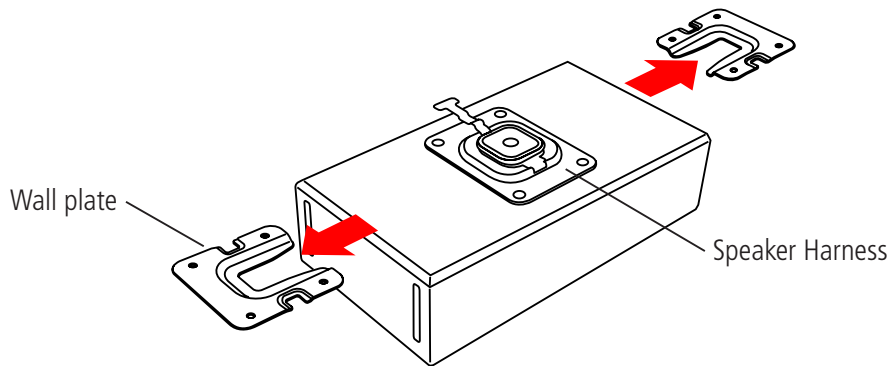
- III. The PWM Sat can be installed vertically, horizontally and upside down.
- IV. The PWM is designed with 2 slot ports at the bottom of the cabinet. These ports must never be blocked when the speaker is in use. When deciding the placement of the PWM Sat, make sure to leave a minimum of 1" (2.5 cm) of clearance for the ports to properly function.



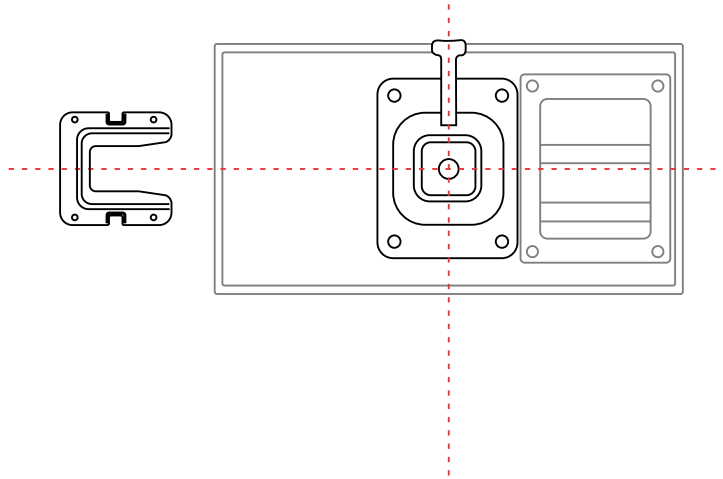
Installation

Locking Bracket

The PWM Sat comes equipped with a two-piece locking bracket.



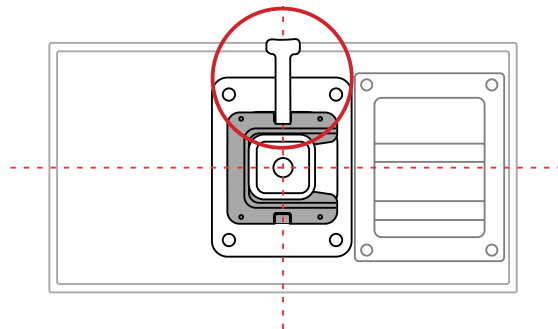
The exact centre of the speaker aligns with the centre of the wall portion of the bracket



The Wall plate can be applied vertically, horizontally, or upside down depending on your choice of application.

The speaker portion of the bracket has a locking mechanism to hold the speaker in place.

IMPORTANT: When sliding the speaker into place, make sure the locking lever of the speaker locks into the wall portion.

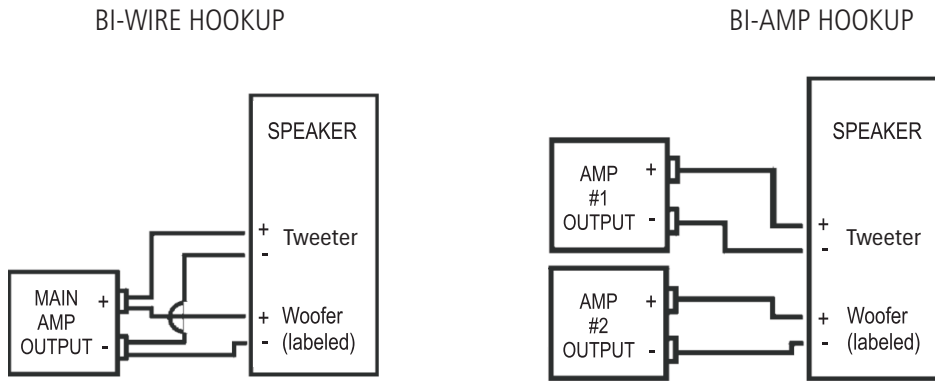


To detach the speaker from the wall, press the locking tab and slide the speaker off the wall plate

CONNECTING...

Bi-wiring and Bi-amping

I. The Metal jumper strap that connects the two sets of terminals on some of our speakers is removable. This allows you to connect either separate cables to the separated woofer and tweeter terminals ("bi-wiring") or separate amplifiers ("bi-amping"). With Bi-Amp hookup you must use either identical amplifiers or amplifiers adjusted to have the same voltage gain. Consult your PSB dealer for further information. (Illustrations are for one speaker hookup only). With single cable inputs, the jumper straps must be in place and both sets of terminals tightened firmly.



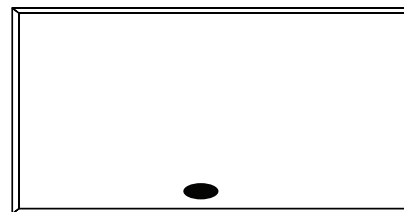
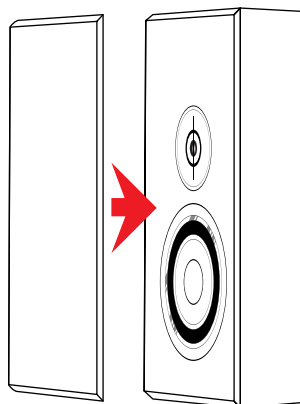
Bi-wire and Bi-amp Wiring Between Speakers and Amplifier

Note: The PSB PWM models perform best when complemented with a powered subwoofer. PSB Speakers offers a number of suitable subwoofers to pair with your on-wall speakers. To find these subwoofers, please visit www.psbSpeakers.com

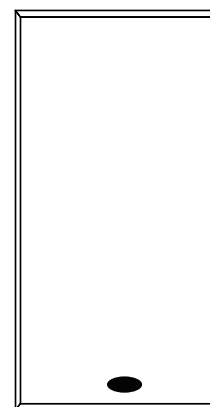
The Grille

- I. The PWM speakers come with an optional magnetic grille, which will snap into place when positioned correctly. The use of the grille is a matter of personal preference and does not effect the performance of the speakers either way.
- II. The grille does not come with a brand logo attached. Should you desire to place logos on your speakers, please use the locations specified in the diagram.

Snap Magnetic grille into place



Horizontal Logo Position



Vertical Logo Position

PROTECTING YOUR INVESTMENT

For long lasting enjoyment of your PSB speakers, you should respect their limits and avoid excessive volume levels for music or movie playback. Excessive volume levels can damage all types of speakers.

If your speakers are pushed to excessive volume levels, they could be driven into "clipping", which could result in severe and/or permanent damage. If listening to your speakers at loud levels, listen carefully for any signs of harsh, distorted midrange and diminishing precision – if detected, turn the volume down immediately.

NEVER TEST PEAK LISTENING LEVELS OF YOUR SPEAKERS BY TURNING THE VOLUME UP ALL THE WAY!

CARING AND CLEANING...

For safe use, it is essential to maintain and clean your speakers periodically. However, excessive cleaning may cause damage and jeopardize the longevity of the product. When not in use, avoid storing in extreme hot or cold temperatures and humidity, and avoid exposure to liquids.

I. Cabinet Care

PSB cabinets have varying materials and finishes, including wood veneers, vinyl, anodized aluminium and high gloss, and should be treated with the same care you would with similar finishes such as on furniture. Dust lightly with a soft cloth, avoiding abrasive materials that will cause permanent damage to the cabinet. If necessary, wipe carefully with a cloth slightly dampened with water-based cleaner to remove heavy soil.

II. Drivers and Port Care

During light cleaning, avoid touching speaker diaphragms as it could cause permanent damage to the tweeter and/or drivers. If deeper cleaning is required, we suggest using a lint brush to clean the driver ports.

TROUBLESHOOTING...

Issue: Audible Distortion

- I. If a speaker begins to sound distorted or fatigued, check to see whether playing at a lower volume resolves this issue.

Issue: Low or No Volume Output

- I. If there is low or no volume output, check that the audio source is powered "on", and the audio is set to a medium volume level and not muted.
- II. If audio source is indeed powered "on", check and ensure that the cable connections to the audio source and speakers are secure and are "in-phase". Also, connect a different cable to see if this resolves the issue.

If you require service, please visit your local authorised PSB service centre, or our PSB Speakers website and open a support ticket in the PSB Lounge (www.psbSpeakers.com/lounge).

If you have moved since your purchase, the nearest authorised PSB dealer will be able to assist you. If the problem is not resolved, please contact us directly and provide the model name, serial number, date of purchase, dealer name, and a full detailed description of the issue.

We appreciate your purchase, and hope this owner's guide helps you enjoy the exceptional satisfaction that PSB speaker systems have to offer. We wish you many years of enjoyable listening!

Environmental Protection

At the end of its useful life, this product must not be disposed of with regular household waste but must be returned to a collection point for the recycling of electrical and electronic equipment. The symbol on the product, owner's manual and packaging, point this out.

The materials can be reused in accordance with their markings. Through re-use, recycling of raw materials, or other forms of recycling of old products, you are making an important contribution to the protection of our environment.

Your local administrative office can advise you of the responsible waste disposal point.

We appreciate your purchase of our product, and thank you for taking the time to read this owner's guide. We hope you enjoy the exceptional satisfaction that PSB Speakers have to offer, and wish you many years of enjoyable listening.

Real Sound for Real People.

SPECIFICATIONS

Frequency Response

| | |
|-------------------|---------------|
| On Axis @ 0° ±3dB | 90 - 23,000Hz |
| LF Cutoff -10dB | 62Hz |

Sensitivity

| | |
|------------------|------|
| Anechoic Chamber | 83dB |
|------------------|------|

Listening Room 85dB

Impedance

Nominal 6 Ohms

Minimum 4 Ohms

Acoustic Design

Tweeter (Nominal) 1" (25mm)
Titanium Dome with Ferrofluid

Woofer (Nominal) 1 x 4" (100mm) Carbon Fibre Cone Rubber Surround Cast Basket

Design Type Bass Reflex

Construction

| | |
|-------------|----------------------------|
| Cabinet | MDF |
| Grille Face | Acoustic Transparent Cloth |
| Frame | MDF |

Size (W x H x D)

| | |
|------------------|--------------|
| Net W | 12" (305mm) |
| Net H | 6.5" (165mm) |
| Net D | 3.38" (85mm) |
| Depth With Grill | 3.5" (90mm) |

Finish

Available Finishes Satin Black, Satin White

Grille Type Magnetic, Cloth Grille

Wall Bracket Locking Bracket for vertical, horizontal and ceiling application