

# Retractable In-Desk Box Solution with USB-C, HDMI & USB 3.0, and Intuitive Touch Control Excellence

IDB-300 | IDB-300-BTN



## Quickstart Guide

WyreStorm recommends reading through this document in its entirety to become familiar with the product's features prior to starting the installation process.

### IMPORTANT! Installation Requirements

- Read through the [Wiring and Connections](#) section for important wiring guidelines before creating or choosing premade cables.
- Visit the product pages to download the latest firmware, document version, additional documentation, and configuration tools.

### Before You Start

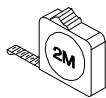
The following tools may be required for installation:



Electric Drill



Hole Saw Bit



Band Tape



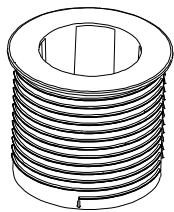
Marker Pen



Phillips Screwdriver

### Package Contents

**WARNING:** This product contains small items that could be a choking hazard if swallowed. Before installation, verify that all parts are included and undamaged.



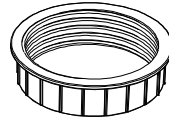
1x Cable Access Enclosure



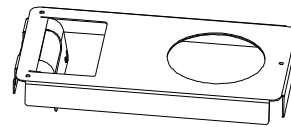
1x Cable Pass-through Plate



1x Cable Bushing



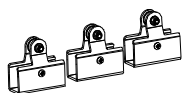
1x Thread Sleeve



1x Under Table Mounting Bracket



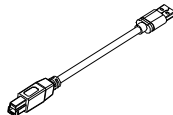
1x Cable Holder



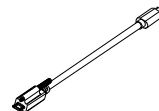
3 x Counterbalance Parts



1 x HDMI Cable



1 x USB 3.0 Type-A to Type-B Cable



1 x USB 3.1 Gen1 Type-C Cable



1 x KB2.5\*5 Screw



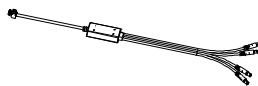
3 x Φ3.0\*10mm Screws



2x M2.5\*5 Screws



2x M3\*5 Screws



1x Serial to 4-I/O Cable



1x Self-adhesive Hook & Loop Strip (Set)



1x Polyester Cable Bag

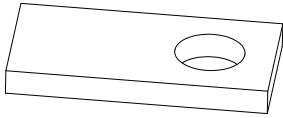


1x User Guide

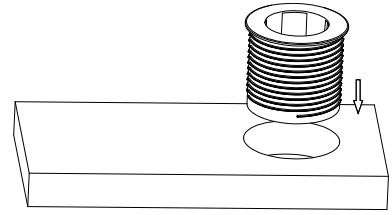
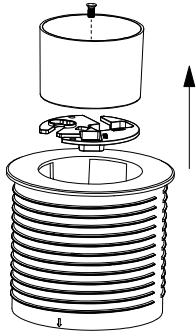
**Note:** The serial to 4-I/O cable, and the hook and loop strip set are not included in the package of IDB-300 unit.

## Installation

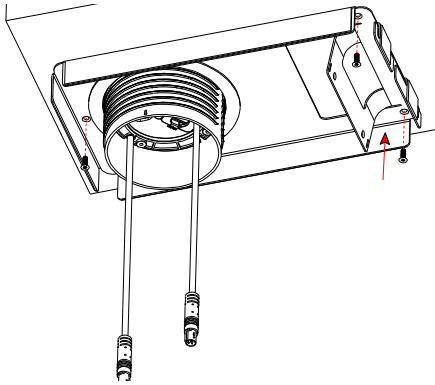
1. Drill an 80mm/3.15" diameter hole into the table.
2. Unscrew the KB2.5\*5 screw to detach the cable bushing and the cable pass-through plate from the cable access enclosure.
3. Insert the cable access enclosure into the hole.



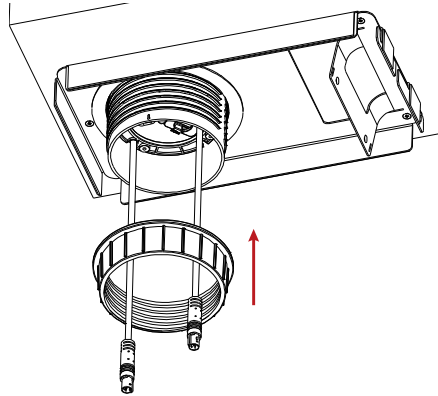
Recommended table depth: within 45mm/1.77"



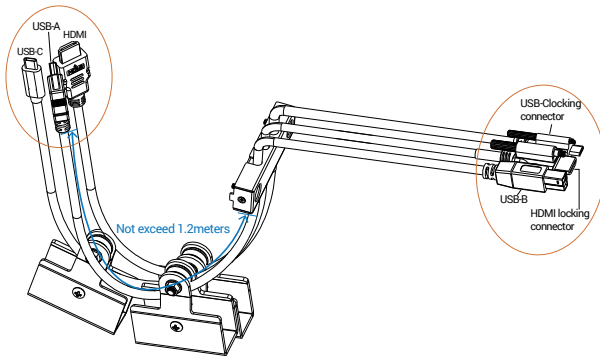
4. Install the mounting bracket under the table using the three  $\Phi 3.0 \times 10\text{mm}$  screws included.



5. Thread the thread sleeve onto the cable access enclosure clockwise from below the table.

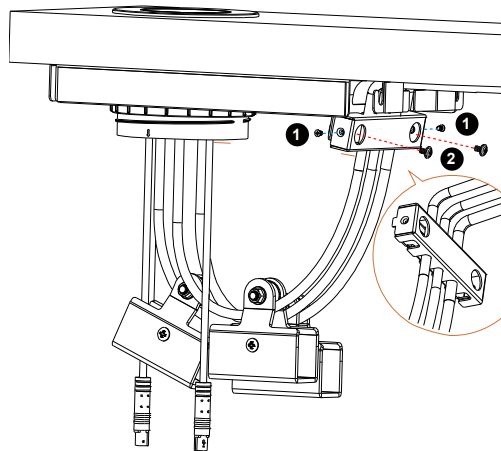


6. Insert one end of the cables through the cable holder's slots and the counterbalance parts respectively as the following shown

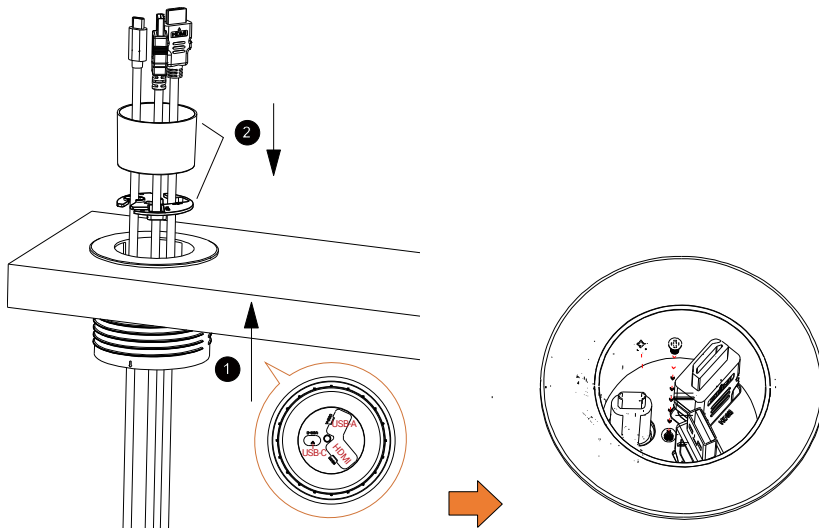


**Note:** The length of each cable from the end without locking connector to the cable holder shall not exceed 1.2m.

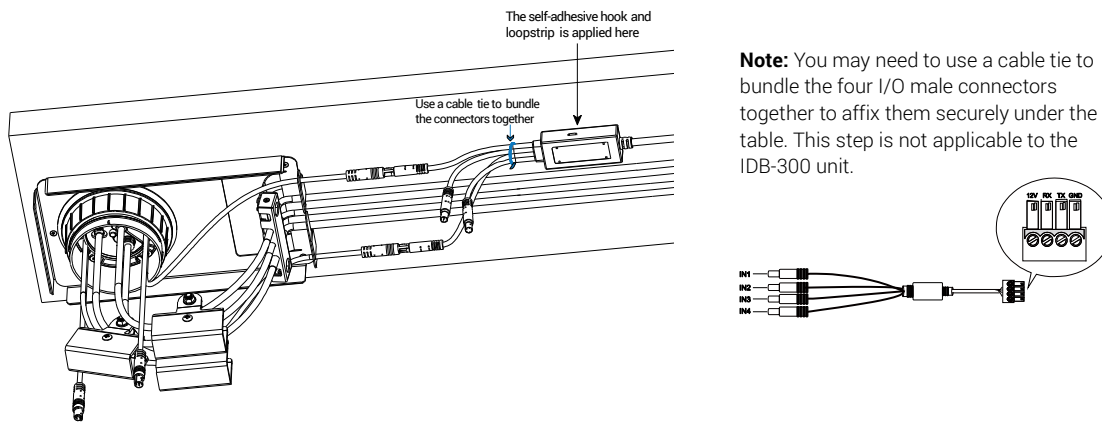
7. Affix the cable holder to the mounting bracket using the M2.5\*5mm ( ) and M3\*5mm ( ) screws included.



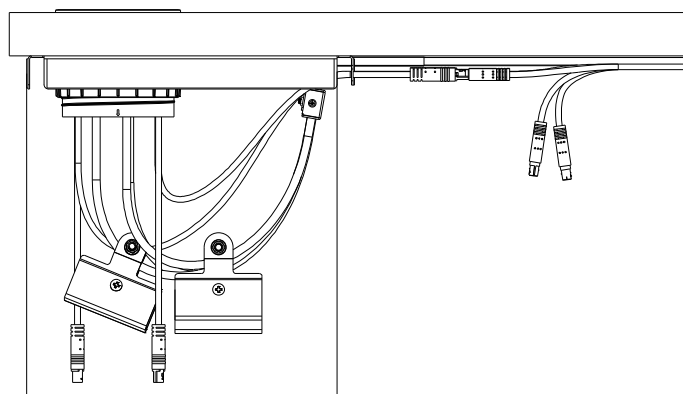
8. Pass the cables upward through the cable access enclosure's corresponding holes, and insert the cable pass-through plate and the cable bushing through the cables in sequence. Then apply the KB2.5\*5 screw into the cable access enclosure.



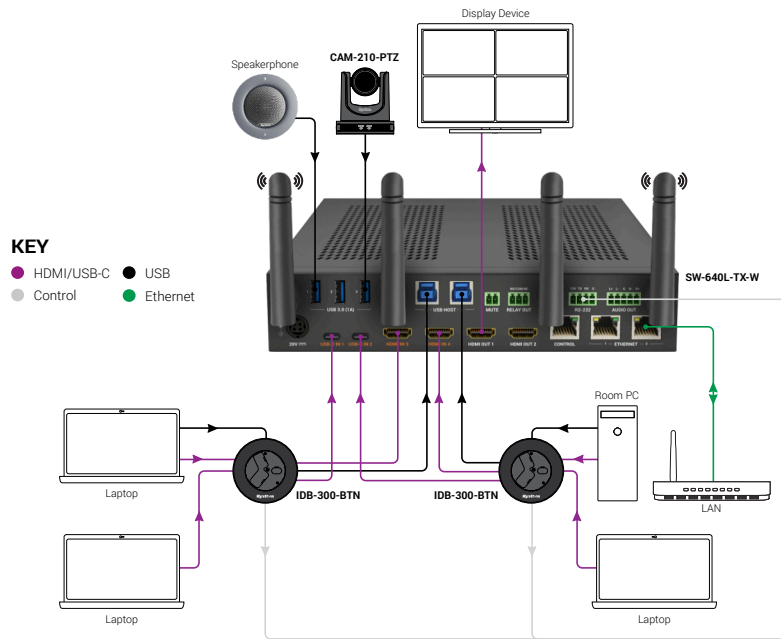
9. Pass the two I/O female connectors of the enclosure through the mounting bracket's slots, and connect them to the two of the I/O male connectors accordingly, then attach the serial to I/O cable under the table using the self-adhesive hook and loop strip set.



10. Place each cable in an individual compartment of the cable bag included. Affix the cable bag to the four sides of the mounting bracket through the already installed hook and loop strip of the bracket and the bag.



## Wiring Diagram



## Specifications

Technical	
<b>Control</b>	2x Touch Buttons (IDB-300-BTN Only)
<b>HDMI Cable</b>	HDMI 2.0   Length: 2m
<b>USB-C Cable</b>	USB 3.1 Gen1   Length: 2m
<b>USB-A to USB-B Cable</b>	USB 3.0   Length: 1.8m
<b>Serial to I/O Cable</b>	Length: 1m
Environmental	
<b>Operating Temperature</b>	0 to +45°C (32 to +113 °F), 10% to 90%, non-condensing
<b>Storage Temperature</b>	-20 to +70°C (-4 to +158 °F), 10% to 90%, non-condensing
<b>Mounting</b>	Flush tabletop mount
Mounting Dimensions and Weight	
<b>Enclosure Dimensions (W x H)</b>	88mm x 75mm/3.46" x 2.95"
<b>Recommended Table Opening</b>	80mm/3.15"
<b>Min/Max Table Thickness</b>	5mm - 45mm/0.2" - 1.77"
<b>Weight</b>	0.15Kg/0.33lbs (for enclosure only)
Regulatory	
<b>Safety and Emission</b>	CE   FCC   RoHS   RCM   EAC   UKCA

## Warranty Information

WyreStorm Technologies ProAV Corporation warrants that its products to be free from defects in material and workmanship under normal use for a period of five (5) years from the date of purchase. Refer to the Product Warranty page on [wyrestorm.com](http://wyrestorm.com) for more details on our limited product warranty.

