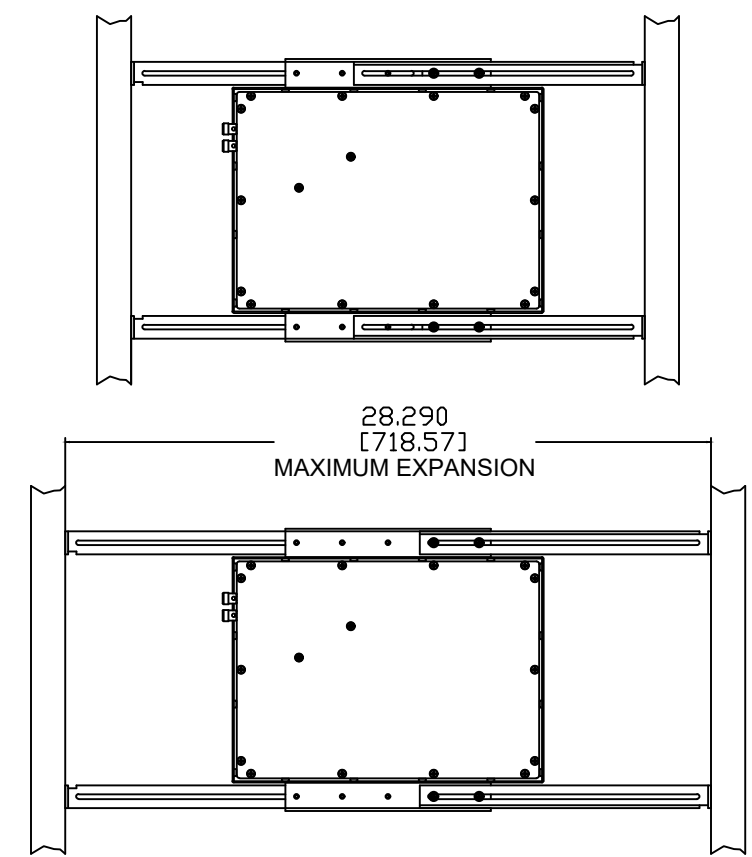
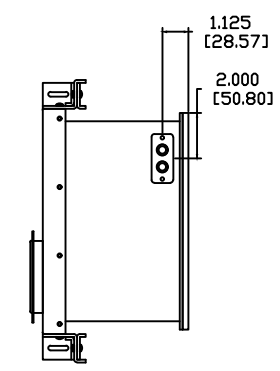
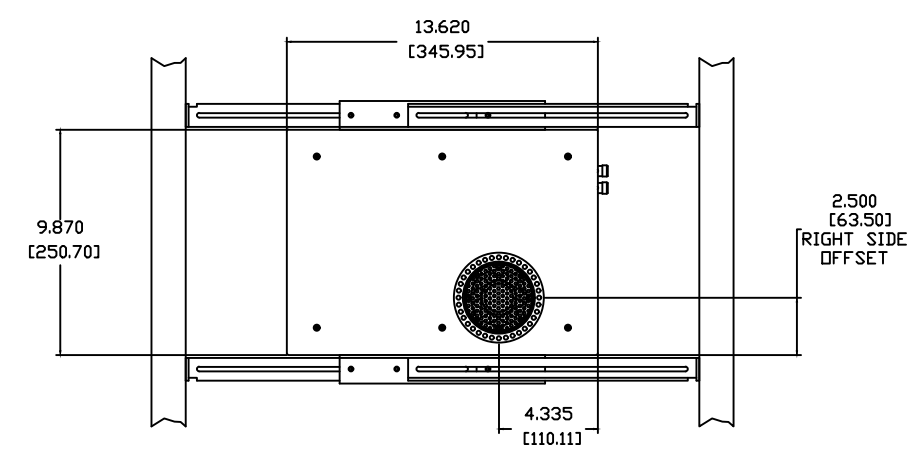
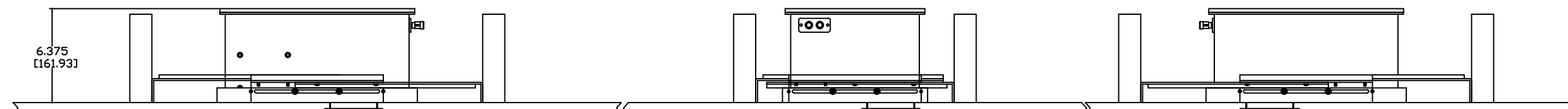


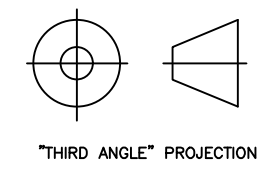
REVISIONS				
ECD	REV.	DESCRIPTION	DATE	APPROVED
	A	RELEASE FOR PRODUCTION	09-28-17	
	B	REVISED TERMINAL LOCATION	10-25-19	



NOTES:

1: MATERIAL - 5052 ALUMINUM
UNLESS OTHERWISE SPECIFIED

2: FINISH: TBD



PROPRIETARY INFORMATION THE DESIGNS, INFORMATION, AND DATA CONTAINED HEREIN ARE PROPRIETARY AND ARE SUBMITTED IN CONFIDENCE, AND SHALL NOT BE DISCLOSED, USED OR DUPLICATED IN WHOLE OR IN PART, FOR ANY PURPOSES WHATSOEVER, WITHOUT THE PRIOR WRITTEN PERMISSION OF JAMES LOUDSPEAKER LLC, 2185 PARK PL, MINDEN, NV 89423. THIS LEGEND SHALL BE MARKED ON ANY REPRODUCTIONS HEREOF IN WHOLE OR IN PART. RECEIPT OF THIS DOCUMENT SHALL BE DEEMED TO BE AN ACCEPTANCE OF THE CONDITIONS SPECIFIED HEREIN.	JAMES LOUDSPEAKER	
	PERFECT CONTROL	
	63SA-7HD WITH OFFSET PORT EXTERNAL DIMEN	
	P/N: 63SA-7HD-2.5-RD	DWR #: 170928-Z101
	REVISED BY: K. DUNLEA	
	DRAWN BY: K. EBELING	FILE:
	DATE: 09-28-17	SCALE:
	APPROVED:	
	DRAFTING APPROVED:	
	DO NOT SCALE DRAWING DRAWING NOT TO BE USED FOR CNC	
TOLERANCES: ANG: ± = .5° FRACT. ± = 1/32		
DECIMALS: .XX ± = .01 .XXX ± = .005		
REVISION: B		
SHEET 1 OF 6		