



4K SIM2 XTV

THE INVISIBLE LARGE DISPLAY



4K SIM2 XTV

4K SIM2xTV: THE “INVISIBLE” DISPLAY 4K UHD-HDR

4K SIM2xTV⁽¹⁾ is the “invisible” display system perfect for homes, offices, luxury and fashion stores, hi-class board rooms, top restaurants, yachts, museums, and many other environments.

⁽¹⁾ Patented

4K SIM2xTV: A NEW WAY OF THINKING

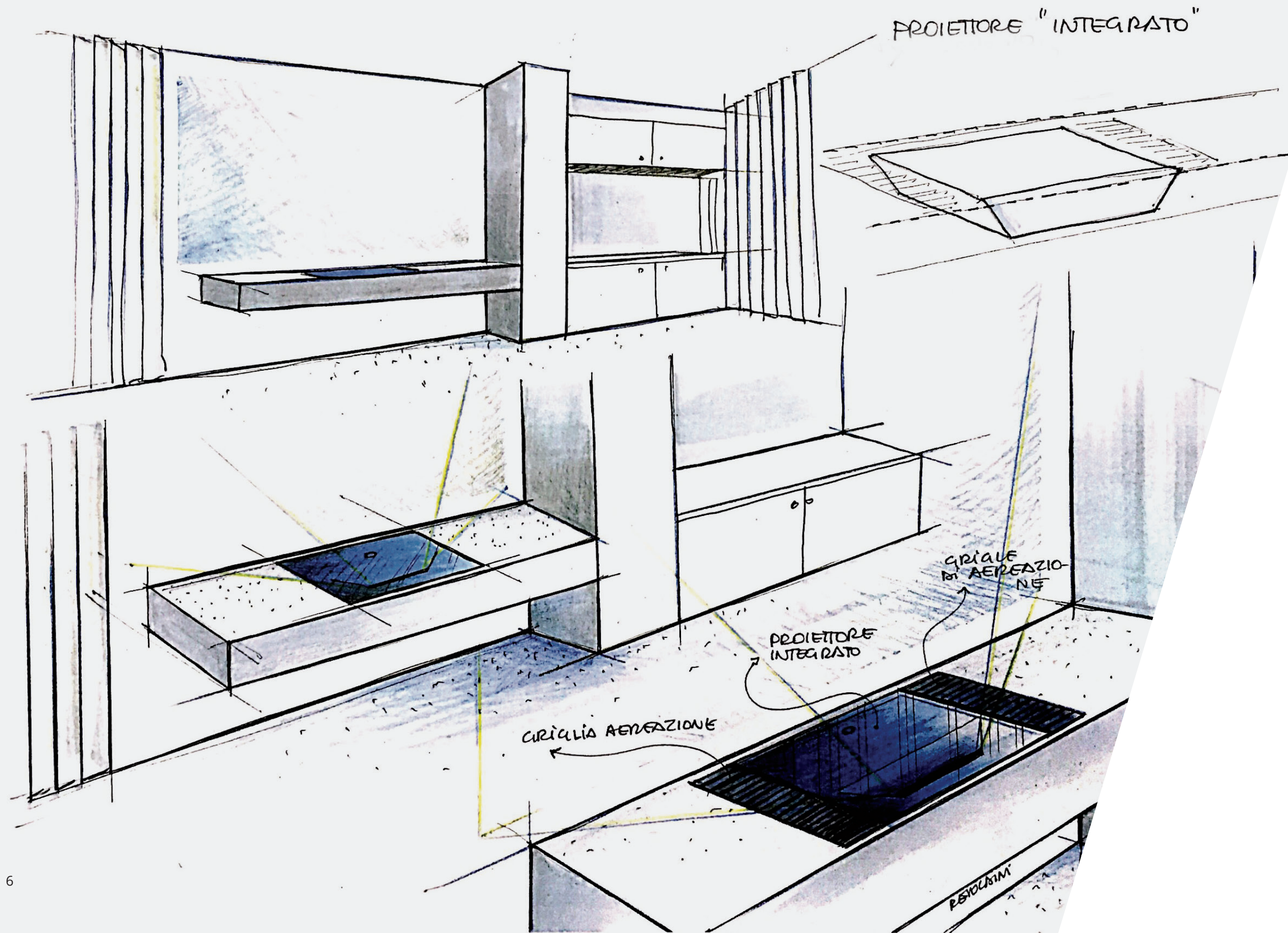
4K UHD-HDR

Create premium image entertainment in any environment with 4K SIM2xTV⁽¹⁾. This new patented SIM2 model combines the excitement of the big screen with the most discreet display device ever created, for a fully immersive viewing experience. When the display is turned off, it becomes totally inconspicuous.

4K SIM2xTV can be placed close to a wall, screen or vertical flat surface to display your favorite video content in stunning detailed clarity up to a size of 120 inches.

⁽¹⁾ Patented.





WHAT IS 4K SIM2xTV ? ENVISION A NEW VIEWING EXPERIENCE

Designed without compromise, 4K SIM2xTV[®] is that most unique of products, a beautifully engineered embodiment of a new way of thinking about creating the 'big screen' at home or in any other viewing environment.

Thanks to the latest LASER illumination technology, 4K SIM2xTV delivers high brightness, over 20.000 hours of viewing and stunning color accuracy. Its innovative ultra-short throw lens enables 4K SIM2xTV to produce up to 120^{**} with perfect picture^{**}. 4K SIM2xTV is housed in a pure crystal-glass and aluminium cabinet[®] - designed[®] by Giorgio Revoldini - that makes a dramatic statement in interior design: a classic, distinctive and timeless piece of art.

^{*}In order to get the best performances please let us receive the order with the right screen dimensions between: 85"-95", 100"-110"-105"-120".

^{**}120" screen should have some distortion in the image or less clear picture but still enjoyable video performances.

[®] Patented.

[®] Design patented.

INNOVATIVE MATERIALS AND CRAFTSMANSHIP

A perfect balance of beautiful design⁽¹⁾ and exceptional materials to satisfy the most refined tastes, SIM2xTV blends a uniquely sophisticated combination of modernity, elegance, traditional craftsmanship and luxury. Designer Giorgio Revoldini has chosen an eternally contemporary shape in Aluminium and stainless steel, enhanced with crystal-glass⁽¹⁾, a pure and sustainable material, to bring a new dimension in luxury in product design.

Crystal-glass is resistant to light and high/low temperature variations, retaining its lustrous finish even after many years of use. And, from a purely aesthetic point of view, crystal-glass is simply stunning in appearance. We are all drawn to it. It is synonymous with luxury.

⁽¹⁾ Patented.



THE BIG SCREEN MADE EASY

4K SIM2xTV⁽¹⁾ is the result of years of intense research. SIM2's world-renowned R&D department challenged itself to combine the latest technological advances, extraordinary design thinking and exceptional performance into a product that is unmistakably SIM2. The use of LASER technology allows 4K SIM2xTV to reach a peak brightness up to 2900 ANSI Lumens almost instantaneously. Also materials as well the LASER technology makes the 4K SIM2xTV a truly "Green display" all parts are able to be recycled. As an elegant alternative solution to large, cumbersome flat TVs, 4K SIM2xTV integrates beautifully into any living space. The crystal glass⁽¹⁾ surface and aluminum finish add a luxurious feel to the product.

⁽¹⁾ Patented.

SIM2 xTV 4K

**4K SIM2xTV:
FREESTANDING, BUILT-IN AND
CEILING MOUNTING COMPLEMENT
YOUR HOME DECOR**

4K UHD-HDR

4K SIM2xTV⁽¹⁾ features an elegant design, perfect for adding a special and unique touch to suit any room style (home, office, luxury and fashion stores, and many other environments), while creating a fully immersive SIM2-quality image when you want it. The ultra-short throw ratio lens allows you to place the 4K SIM2xTV close to the wall to achieve an impressive image size 120" diagonal.

4K SIM2xTV is designed to be projected onto any flat, light colored surface depending on your wishes.

⁽¹⁾ Patented.





**ABOVE OR BELOW
THE WALL OR SCREEN**
THE CHOICE IS YOURS

A special lens makes 4K SIM2xTV⁽¹⁾ highly adaptable to different viewing environments, and gives it the ultimate flexibility of installation. 4K SIM2xTV is perfect for luxury and fashion stores, high-end board rooms, top restaurants and shops, yachts, museums, etc..

⁽¹⁾ Patented.

DESIGN MEETS TECHNOLOGY

Hand-built in Italy to unparalleled standards, 4K SIM2xTV represents the pinnacle of SIM2's design, craft and engineering skills. Combining traditional craftsmanship with high technology, 4K SIM2xTV delivers a combination of high performance, unique thinking and fastidious attention to detail – both inside and out.

4K SIM2xTV features a cabinet made of a special high-tech crystal-glass⁽¹⁾ crafted specifically to optimize image performance.

An elaborate optical coating is applied to each surface of the crystal-glass to ensure that any unwanted stray light is tightly controlled increasing the contrast and the picture quality. SIM2's R&D department used complex raytracing analysis to finalize the specifications of these special coatings. 4K SIM2xTV is an all-digital solid state device using LASER-hybrid illumination and DLP® picture technology to create images that are finely-tuned to reproduce the full diversity of colors, up to 2,900 ANSI lumen light output, exceptional clarity and extended dynamics expected of a SIM2 product.

WiFi & Apps: connect to your home network wirelessly for internet and OTA (over-the-air updates). Access compatible apps like YouTube and Spotify using the integrated App Store - Marketplace. Perfect for streaming movies, TV shows and clips.*

Audio: a truly cinematic experience wouldn't be complete without high-quality sound thanks to high performance speakers placed in the frontal part of the product.

Media player: Watch movies directly from your projector without the need for a laptop or PC using the integrated media player. Copy your files to a USB stick and watch them on the big screen.

* Sim2 projectors work on a customized version of Android. Google Play services not supported. Not all third-party apps are compatible and may vary in quality and resolution.
⁽¹⁾ Patented.





ITALIAN DESIGN & STYLE

Italy is recognized as being a worldwide trendsetter and leader in design. SIM2 is an Italian company that for over twenty years has designed and manufactured videoprojectors and displays that are truly deserving of this world-recognized symbol of excellence. Choosing a SIM2 product means experiencing a wealth of positive emotions, whilst enjoying your favorite visual entertainment, it also means enjoying superior technology, functionality, versatility and reliability.

The unique and sophisticated design won the GOOD DESIGN Award, the oldest and most prestigious global awards for Design Excellence and Innovation organized by The Chicago Athenaeum.



4K SIM2xTV INV AND 4K SIM2xTV Q&EC-C

INVISIBLE IS PART OF THE CONCEPT

4K SIM2xTV⁽¹⁾ is a patented high-tech display device, available in either freestanding or **built-in versions**⁽²⁾. In fact, for those who wish to seamlessly integrate the display into the home's (offices, hospitality, yachts, museums etc.) design and minimize the visual impact on the décor, SIM2 has engineered the 4K SIM2xTV INV⁽³⁾ model for furniture built-in and 4K SIM2xTV Q&EC-C for ceiling mounting. In Invisible solution. 4K SIM2xTV In these version are designed to be incorporated⁽³⁾ into a piece of furniture or, rather like a luxury light fixture, into a ceiling design feature, to become an integral part of your living space. 4K SIM2xTV⁽¹⁾.

Custom bracketry, an adjustable light engine, and micrometric adjustments⁽¹⁾ ensure that 4K SIM2xTV INV and Q&EC-C can be perfectly positioned to the wall/screen either from top(ceiling) and bottom(furniture/free standing). **4K SIM2xTV INV and Q&EC-C must be placed in a forced air flow rack design or furniture that uses fans or blowers to remove heat and ensure a steady flow of air through the rack enclosure.** The finishing touch is that all that is visible is the luxurious, top crystal glass surface, available in either black or white finish. A wide range of frame for ceiling mounting (to match the ceiling décor) as well as different furniture can be sourced directly from SIM2.

⁽¹⁾ Patented.

⁽²⁾ Three models available: freestanding (4K SIM2xTV) or built-in (4K SIM2xTV INV) or Ceiling Mounting (4K SIM2xTV Q&EC-C)

⁽³⁾ Contact your SIM2 Sales representative or SIM2 office or send an email to sim2xtv@sim2.com for additional details, exact product measurements and info on installation prior to order.





**4K SIM2xTV: SMART INTEGRATION
A LESSON OF STYLE**
4K UHD-HDR

SIM2 offers a complete solution as well as a custom made environment and décor dedicated 4K SIM2xTV solutions.

Not only optical Surfaces (up to 120"), to be used as screens in challenging environments, such as high ambient light situations or rooms with unsuitable wall surfaces. A wide selection of frame for Q&EC-C to be part of the interior décor (glass, wood, any color and finishing) up to specific furniture able to have an invisible solution with the style you wish: life style, classic etc mostly Made in Italy but not only.

The Optical Surfaces are available in a choice of 4 sizes:

- 92 inches (model SIM2x92)
- 100 inches (model SIM2x100),
- 110 inches (model SIM2x110).
- 120 inches (model SIM2x120).

These Optical Surfaces feature Lenticular Technology - designed specifically to complement 4K SIM2xTV's unique light pattern - that absorbs ambient light that would otherwise 'wash-out' the screen, while retaining the integrity of the projected image.

The Frame for the ceiling mounting 4K SIM2xTV Q&EC-C are made In hi-quality plexiglass, glass, wood and the color can match the black or white color of the 4K SIM2xTV or can have a different one to march the ceiling color.

The Furniture are basically a classic life style Italian furniture. In various color but can be delivered In a wide variety of styles.



4K SIM2xTV: STAND ALONE

4K UHD-HDR

RETAILER

COMPLETE PRODUCT SYSTEM



ACCESSORIES



- SIM2 Display Surfaces (diag: 92", 100", 110", 120")
- Ceiling Bracket

4K SIM2xTV INV: BUILT INTO FURNITURE

4K UHD-HDR

CUSTOM INSTALLERS-HOSPITALITY-COMMERCIAL

COMPLETE PRODUCT SYSTEM



ACCESSORIES



- SIM2 Display Surfaces (diag: 92", 100", 110", 120")
- Dedicated furniture Standard and Custom made



4K SIM2xTV Q&C: INTO CEILINGS

4K UHD-HDR

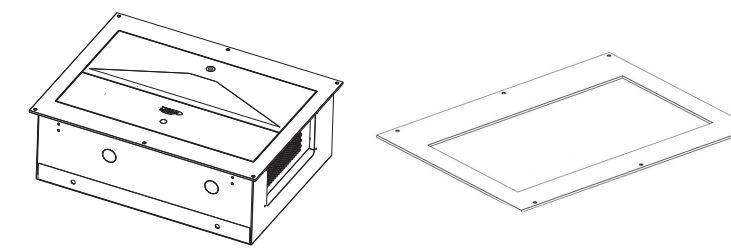
(HORIZONTAL AIR COOLING)

CUSTOM INSTALLERS-HOSPITALITY-COMMERCIAL

COMPLETE PRODUCT SYSTEM



ACCESSORIES



- SIM2 Display Surfaces (diag: 92", 100", 110", 120")
- Frame White, black and Custom made

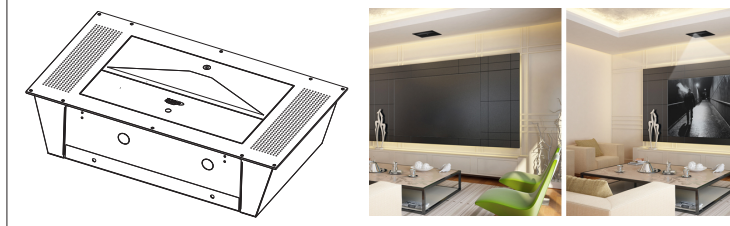
4K SIM2xTV Q&C: INTO CEILINGS

4K UHD-HDR

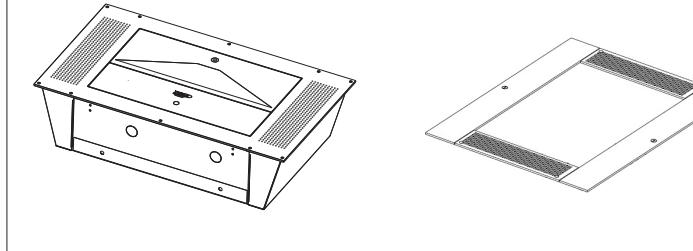
(VERTICAL AIR COOLING)

CUSTOM INSTALLERS-HOSPITALITY-COMMERCIAL

COMPLETE PRODUCT SYSTEM



ACCESSORIES



- SIM2 Display Surfaces (diag: 92", 100", 110", 120")
- Frame White, black and Custom made
- Vertical Air cooling adapter

4K SIM2 XTV



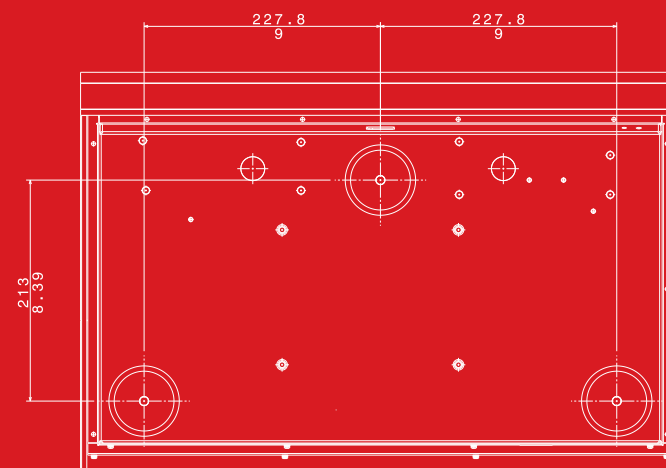
4K SIM2xTV: DESK TOP STAND ALONE MODEL

TECHNICAL SPECIFICATIONS

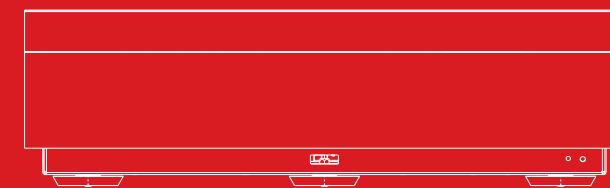
⁽¹⁾ Patented.



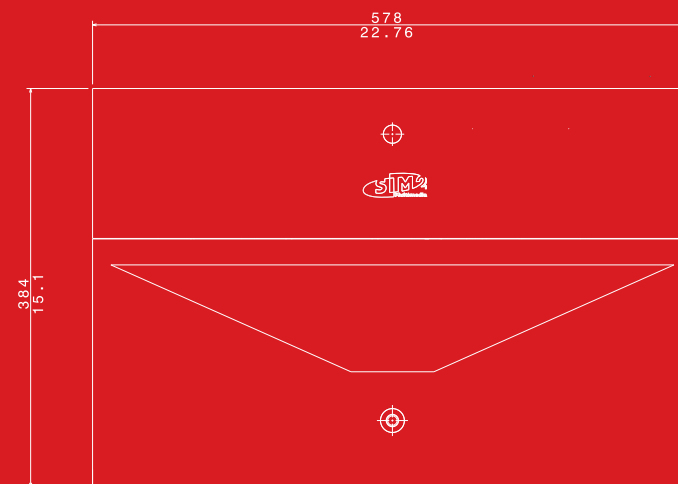
DANGER!
LASER RADIATION.
Do not stare into beam.
Class 2 Laser Product.



Vista Frontale
Scala: 1:2



Vista dall'alto
Scala: 1:2



Vista posteriore
Scala: 1:2



Vista Ausiliaria
Scala: 1:2

MODEL INFORMATION

Series: 4K SIM2 xTV

BASIC INFORMATION

Resolution: 4K-UHD
Aspect ratio: 16:9
Display technology: DLP
Light source: Laser Source
Light source lifetime: 25,000 hours
Eye protection (Automatic turn off laser when people close by): Yes
Screen size focus range: 85"-95", 95"-105", 105"-120"*
Suggested Screen Type (optional): Fresnel Lens Technology & Black/White Lenticular Technology

Weight: 19 kg

*120" screen may have some small image imperfections but still enjoyable video performances.

TECHNICAL DETAILS

Luminance (typical, full field, in Lumens): 2900lm
Resolution: 3840*2160
HDR Compatible: Yes
HDR10: Yes
Wireless digital audio (Bluetooth): Yes
Wide color gamut: 84% DCI-P3
Pure motion: Yes
WiFi & android system: Yes

SOUND SUPER BASS

Sound output power: 2x15W bass reflex

CONNECTIVITY

HDMI1: HDMI2.0, ARC
HDMI2: HDMI2.0
HDMI3: HDMI2.0
USB (2.0): 1
USB (3.0): 1
S/PDIF Output: 1 (optical)
RS232: Yes
Service port: 1, Headphone

ECO & POWER SUPPLY

Power supply: 120V-240V
Standby consumption: ≤0.5W

DMP FORMATS

Container format: AVI, MP4, MKV, TS, FLV OGM
Video: .AVI, .WMV, .MP4, .MOV, .3GP, .MKV, .MPG, .MPEG, .VOB, .FLV, .WebM, .VRO, .OGM
Audio: .wma, .wmv, .mp4, .FLAC, .MP2, .MP3 music(mp3 aac wma wav)
Picture: .jpeg, .bmp, .PNG, .GIF, .webp, .mpo

MODEL INFORMATION

Series: 4K SIM2 xTV INV

BASIC INFORMATION

Resolution: 4K-UHD
 Aspect ratio: 16:9
 Display technology: DLP
 Light source: Laser Source
 Light source lifetime: 25,000 hours
 Eye protection (Automatic turn off laser when people close by): Yes
 Screen size focus range: 85"-95" , 95"-105" , 105"-120"*
 Suggested Screen Type (optional): Fresnel Lens Technology & Black/White Lenticular Technology

*120" screen may have some small image imperfections but still enjoyable video performances.

TECHNICAL DETAILS

Luminance (typical, full field, in Lumens): 2900lm
 Resolution: 3840*2160
 HDR Compatible: Yes
 HDR10: Yes
 Wireless digital audio (Bluetooth): Yes
 Wide color gamut: 84% DCI-P3
 Pure motion: Yes
 WiFi & android system: Yes

CONNECTIVITY

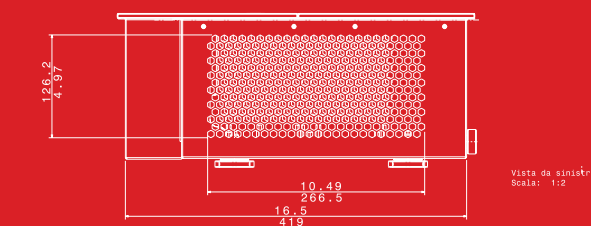
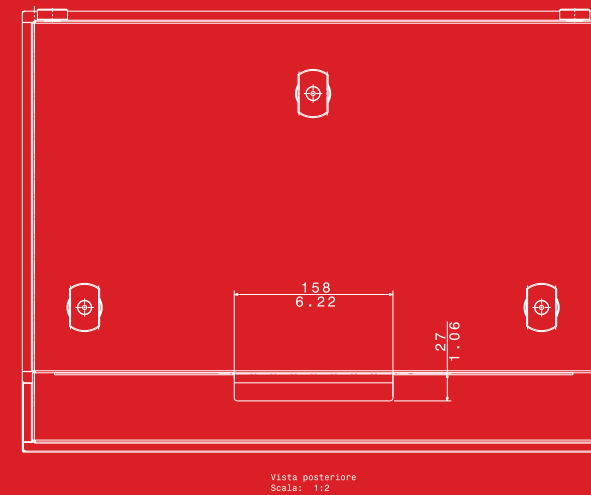
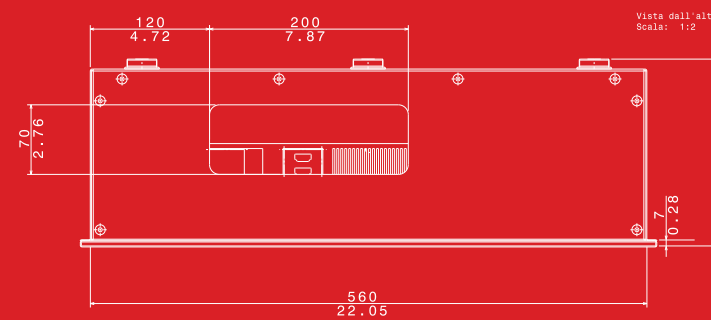
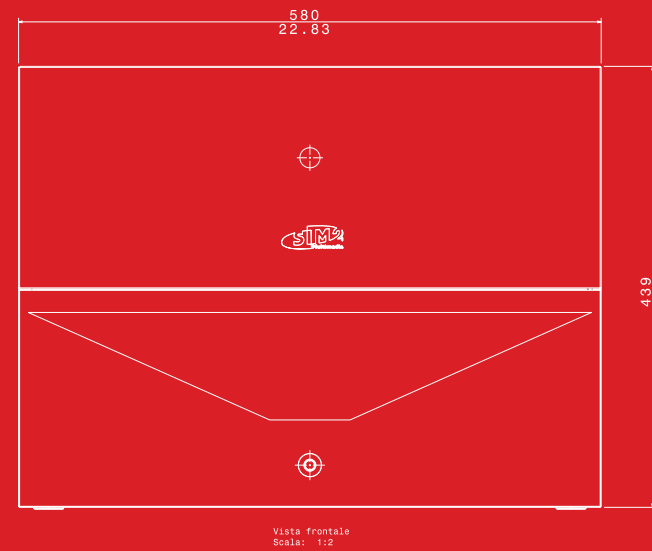
HDMI1: HDMI2.0, ARC
 HDMI2: HDMI2.0
 HDMI3: HDMI2.0
 USB (2.0): 1
 USB (3.0): 1
 S/PDIF Output: 1 (optical)
 RS232: Yes
 Service port: 1, Headphone

ECO & POWER SUPPLY

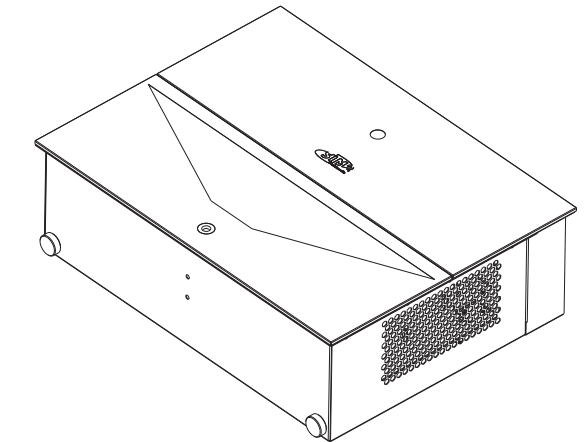
Power supply: 120V-240V
 Standby consumption: ≤0.5W

DMP FORMATS

Container format: AVI, MP4, MKV, TS, FLV OGM
 Video: .AVI, .WMV, .MP4, .MOV, .3GP, .MKV, .MPG, .MPEG, .VOB, .FLV, WebM, .VRO, .OGM
 Audio: .wma, .wmv, .mp4, .FLAC, .MP2, .MP3 music(mp3 aac wma wav)
 Picture: .jpeg, .bmp, .PNG, .GIF, .webp, .mpo



4K SIM2 XTV



**4K SIM2xTV INV:
BUILT INTO FURNITURE**

TECHNICAL SPECIFICATIONS

⁽¹⁾ Patented.
⁽²⁾ Contact your SIM2 Sales representative or SIM2 office or send an email to sim2xtv@sim2.com for exact product measurements and info on installation prior to order.

MODEL INFORMATION

Series: 4K SIM2 xTV Q&C-C

BASIC INFORMATION

Resolution: 4K
 Aspect ratio: 16:9
 Display technology: DLP
 Light source: Laser Source
 Light source lifetime: 25,000 hours
 Eye protection (Automatic turn off laser when people close by): Yes
 Screen size focus range: 85"-95" , 95"-105" , 105"-120"*
 Suggested Screen Type (optional): Fresnel Lens Technology & Black/White Lenticular Technology

*120" screen may have some small image imperfections but still enjoyable video performances.

TECHNICAL DETAILS

Luminance (typical, full field, in Lumens): 2900lm
 Resolution: 3840*2160
 HDR Compatible: Yes
 HDR10: Yes
 Wireless digital audio (Bluetooth): Yes
 Wide color gamut: 84% DCI-P3
 Pure motion: Yes
 WiFi & android system: Yes

CONNECTIVITY

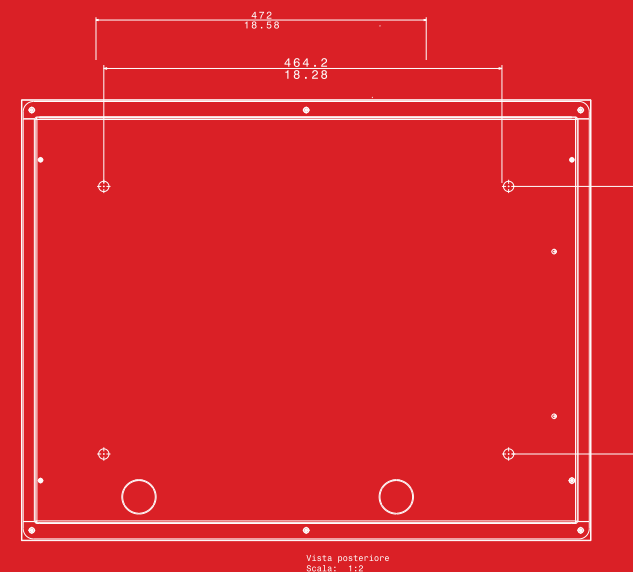
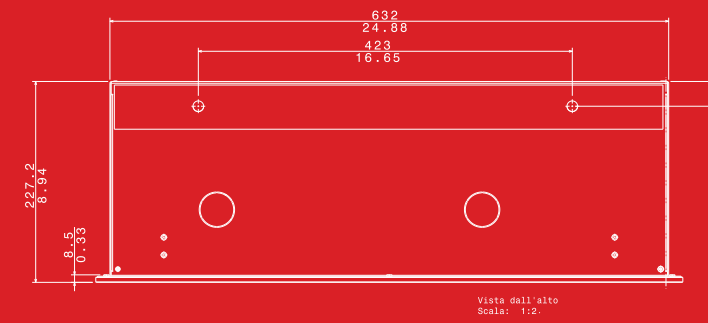
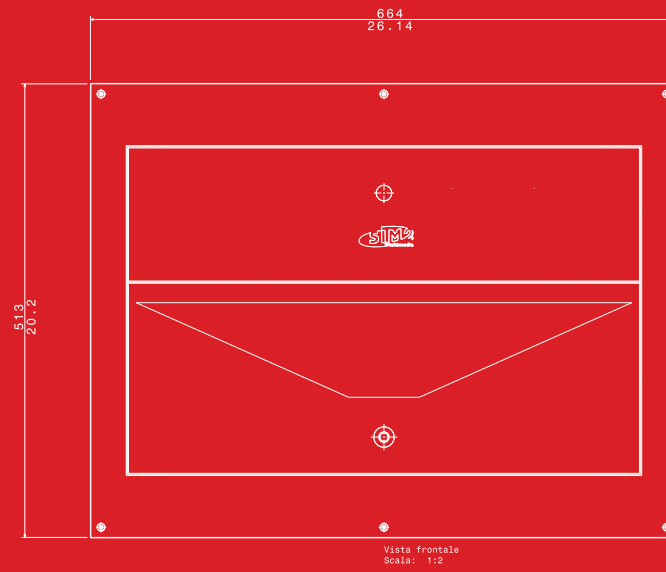
HDMI1: HDMI2.0, ARC
 HDMI2: HDMI2.0
 HDMI3: HDMI2.0
 USB (2.0): 1
 USB (3.0): 1
 S/PDIF Output: 1 (optical)
 RS232: Yes
 Service port: 1, Headphone

ECO & POWER SUPPLY

Power supply: 120V-240V
 Standby consumption: ≤0.5W

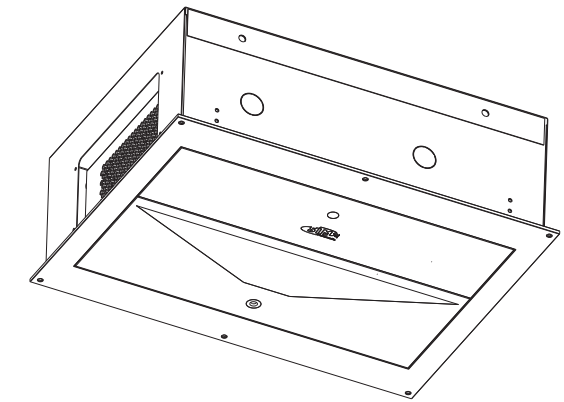
DMP FORMATS

Container format: AVI, MP4, MKV, TS, FLV OGM
 Video: .AVI, .WMV, .MP4, .MOV, .3GP, .MKV, .MPG, .MPEG, .VOB, .FLV, WebM, .VRO, .OGM
 Audio: .wma, .wmv, .mp4, .FLAC, .MP2, .MP3 music (mp3 aac wma wav)
 Picture: .jpeg, .bmp, .PNG, .GIF, .webp, .mpo



DANGER!
LASER RADIATION.
 Do not stare into beam.
 Class 2 Laser Product.

4K SIM2 XTV



**4K SIM2xTV Q&C-C:
 DESIGNED FOR INTO CEILING
 INSTALLATIONS**

(HORIZONTAL AIR COOLING)

TECHNICAL SPECIFICATIONS

⁽¹⁾ Patented.

⁽²⁾ Contact your SIM2 Sales representative or SIM2 office or send an email to sim2xtv@sim2.com for exact product measurements and info on installation prior to order.

MODEL INFORMATION

Series: 4K SIM2 xTV Q&C

BASIC INFORMATION

Resolution: 4K
 Aspect ratio: 16:9
 Display technology: DLP
 Light source: Laser Source
 Light source lifetime: 25,000 hours
 Eye protection (Automatic turn off laser when people close by): Yes
 Screen size focus range: 85"-95" , 95"-105" , 105"-120"*
 Suggested Screen Type (optional): Fresnel Lens Technology & Black/White Lenticular Technology

*120" screen may have some small image imperfections but still enjoyable video performances.

TECHNICAL DETAILS

Luminance (typical, full field, in Lumens): 2900lm
 Resolution: 3840*2160
 HDR Compatible: Yes
 HDR10: Yes
 Wireless digital audio (Bluetooth): Yes
 Wide color gamut: 84% DCI-P3
 Pure motion: Yes
 WiFi & android system: Yes

CONNECTIVITY

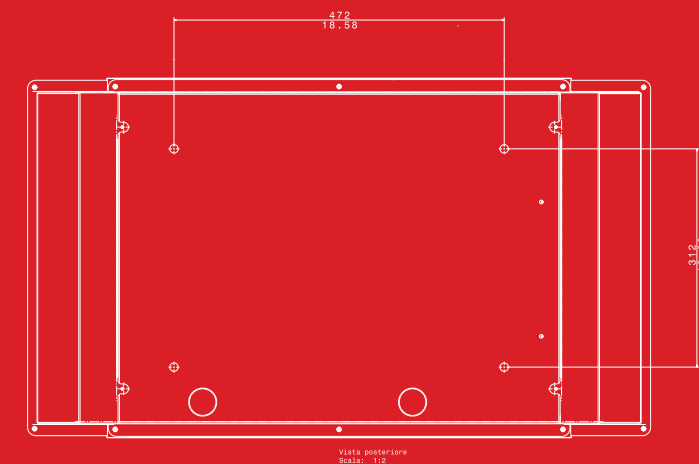
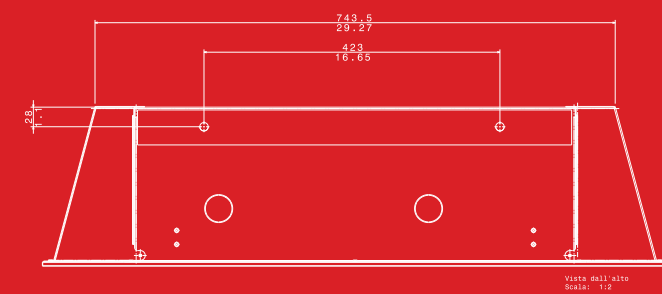
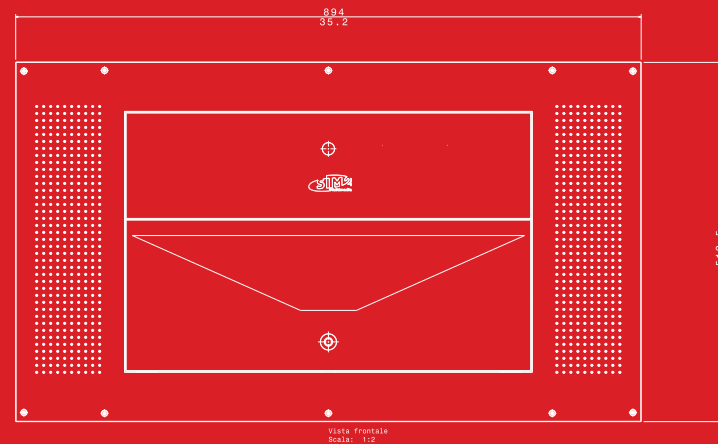
HDMI1: HDMI2.0, ARC
 HDMI2: HDMI2.0
 HDMI3: HDMI2.0
 USB (2.0): 1
 USB (3.0): 1
 S/PDIF Output: 1 (optical)
 RS232: Yes
 Service port: 1, Headphone

ECO & POWER SUPPLY

Power supply: 120V-240V
 Standby consumption: ≤0.5W

DMP FORMATS

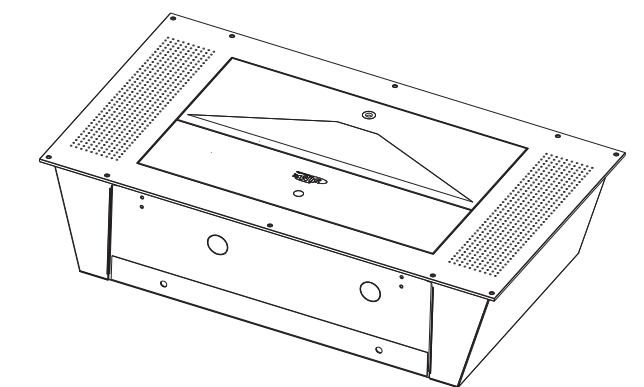
Container format: AVI, MP4, MKV, TS, FLV OGM
 Video: .AVI, .WMV, .MP4, .MOV, .3GP, .MKV, .MPG, .MPEG, .VOB, .FLV, WebM, .VRO, .OGM
 Audio: .wma, .wmv, .mp4, .FLAC, .MP2, .MP3 music(mp3 aac wma wav)
 Picture: .jpeg, .bmp, .PNG, .GIF, .webp, .mpo





DANGER!
 LASER RADIATION.
 Do not stare into beam.
 Class 2 Laser Product.

4K SIM2 XTV



**4K SIM2xTV Q&C:
 DESIGNED FOR INTO CEILING
 INSTALLATIONS**
 (VERTICAL AIR COOLING)

TECHNICAL SPECIFICATIONS

⁽¹⁾ Patented.
⁽²⁾ Contact your SIM2 Sales representative or SIM2 office or send an email to sim2xtv@sim2.com for exact product measurements and info on installation prior to order.





SIM2 BV
INTERNATIONAL s.r.l.
Via Udine, 59
33061 Rivignano UD - Italy
Tel. +39 0434 383 292
info@sim2.it
www.sim2.com
www.sim2xtv.com

SIM2 USA Inc.
10216 NW 47th Street
Sunrise FL 33351 U.S.A.
Ph 9544422999
Fax 323.375.1739
www.sim2usa.com
www.sim2xtv.com

SIM2 BRIONVEGA Co. Ltd.
Room 302-303, No. 244
Liaoning Road
200080, Shanghai, P.R.C.
Tel/Fax: 86-21-62881991 /
+86 15921452996
InfoCHINA@sim2.com
www.sim2.com - www.sim2xtv.com

