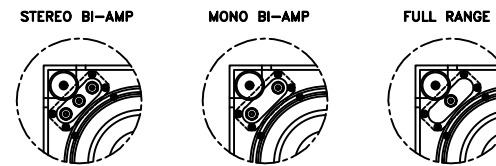
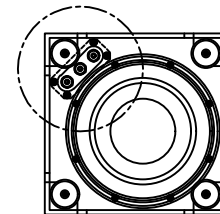
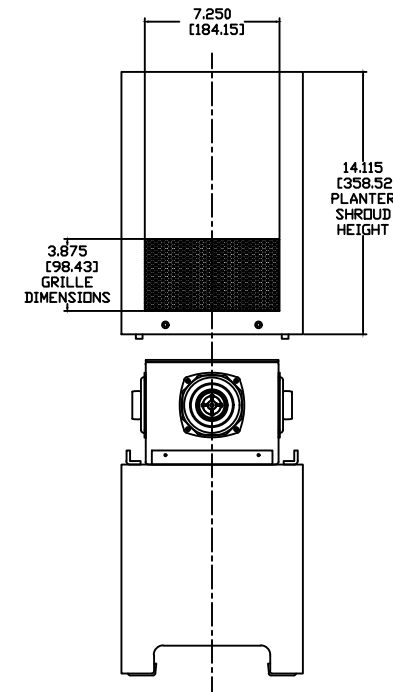
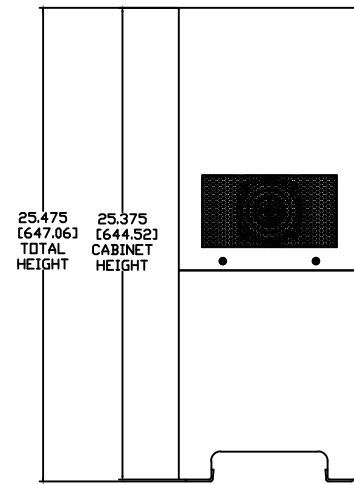
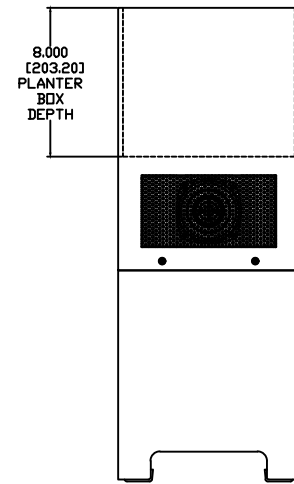
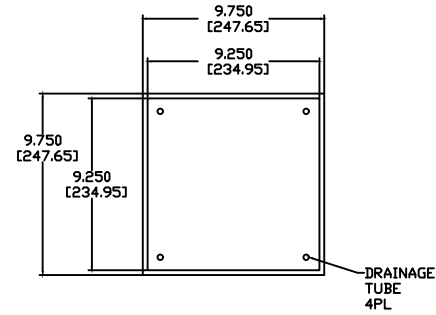
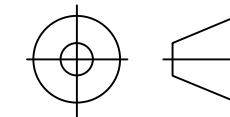


REVISIONS				
ECN	REV.	DESCRIPTION	DATE	APPROVED
	A	RELEASE FOR PRODUCTION	07-28-17	
	B	GRILLE CHANGED TO BACKPLATE FLANGE STYLE	06-20-18	
20006	C	MID/HIGH HOUSING AND PLANTER SHROUD REDESIGN RE-ASSIGNED DRAWING NUMBERS	02-19-20	



NOTES:

- 1: MATERIAL - 5052 ALUMINUM
UNLESS OTHERWISE SPECIFIED
- 2: FINISH: TBD
- 3: MARINE GRADE



"THIRD ANGLE" PROJECTION

PROPRIETARY INFORMATION
 THE DESIGNS, INFORMATION, AND DATA CONTAINED HEREIN ARE PROPRIETARY AND ARE SUBMITTED IN CONFIDENCE, AND SHALL NOT BE DISCLOSED, USED OR DUPLICATED IN WHOLE OR IN PART, FOR ANY PURPOSES WHATSOEVER, WITHOUT THE PRIOR WRITTEN PERMISSION OF JAMES LOUDSPEAKER LLC, 2185 PARK PL, MINDEN, NV 89423. THIS LEGEND SHALL BE MARKED ON ANY REPRODUCTIONS HEREOF IN WHOLE OR IN PART. RECEIPT OF THIS DOCUMENT SHALL BE DEEMED TO BE AN ACCEPTANCE OF THE CONDITIONS SPECIFIED HEREIN.

JAMES LOUDSPEAKER

OMNI89AT4-P

P/N: OMNI89AT4-P DWR #: 170728-K101

REVISED BY: S. LDESCH

DRAWN BY: K. DUNLEA FILE:

DATE: 07-28-17 SCALE:

APPROVED:

DRAFTING APPROVED:

DO NOT SCALE DRAWING

DRAWING NOT TO BE USED FOR CNC

TOLERANCES: ANG: ± = .5° FRACT. ± = 1/32
 DECIMALS: .XX ± = .01 .XXX ± = .005

REVISION: C

SHEET 1 OF 9